

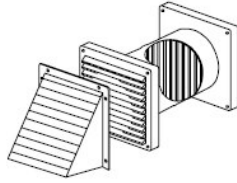
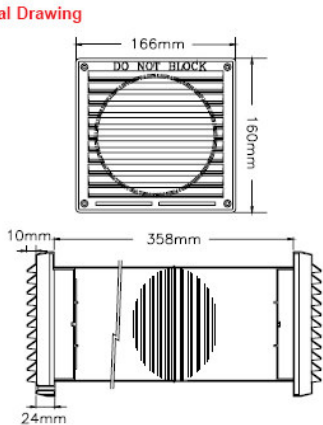
SPECFLUE

8 Curzon Road, Chilton Ind. Estate, Sudbury, Suffolk CO10 2XW
T: 0800 90 20 220 F: 01787 880555 email: sales@specflue.com

RYTONS AIRCORE VENTILATOR

Rytons Cowled 125mm Baffled AirCore®
(Light and Draught Reducing)

Dimensional Drawing

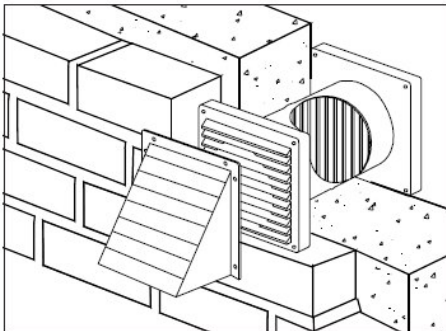


Main Uses, Features and Benefits

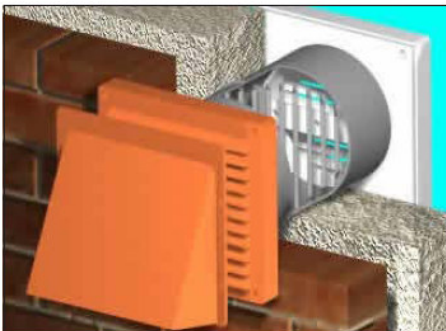
- Appliance and room ventilator with external cowl.
- Gross appliance rated input 19.78kW.
- Equivalent area Advantica tested to BS 5440-2:2000.
- Cowl and internal baffles reduce light and draughts.
- For new and refurbishment projects.
- U.V. stabilised cowl and grilles.



In-Situ Line Drawing



In-Situ Drawing



F30 Accessories/Sundry Items for Brick/Block/Stone Walling
Specification Clauses 17, 171
U90 General Ventilation - Domestic
Specification Clauses 310, 340

Product Specification Code

Rytons AC7CWL.

Size

Cowl: 210mm (L) x 205mm (H) x 90mm (D).

Louvre Ventilators: 166mm (L) x 160mm (H).

Tube: 127mm (5") (Dia.) x 358mm (L).

(If necessary a maximum of 63mm may be cut from each end of the tube).

Equivalent Area

6390mm² (63.9cm²) (9 $\frac{1}{4}$ "²) per unit.

Suitable for an open-flued gas appliance installed in a room or internal space with a gross rated input up to 19.78kW (67400 Btu/h).

Composition

Cowl: U.V. stabilised high impact polystyrene.

External Louvre: U.V. stabilised high impact polystyrene.

Tube: High impact polystyrene.

Internal Louvre: U.V. stabilised high impact polystyrene.

Colours

Cowl: White, buff/sand, terracotta, dark brown.

External Louvre: White, buff/sand, terracotta.

Tube: Black.

Internal Louvre: White.

TERRACOTTA BAFFLED AIRCORE & COWL – PRODUCT CODE 8300998

BUFF BAFFLED AIRCORE & COWL – PRODUCT CODE 8300997

DIAMOND DRILLING MACHINE / CORE DRILLS AVAILABLE – PLEASE ASK FOR DETAILS