



FSC-5 Fan Speed Control

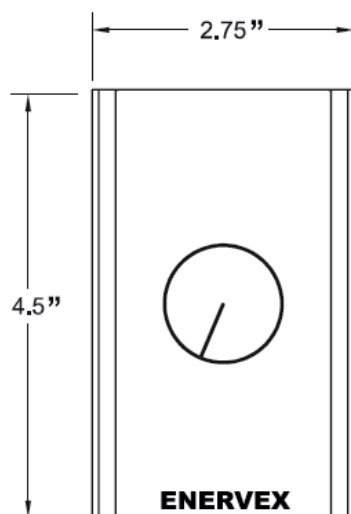
Description:

The FSC, Fan Speed Control, controls the speed of single-phased RS, RSV, GSV and RSHT fans.

Warranty:

2-year Factory Warranty.

Technical data



Model	FSC-5
Maximum load	5 amps
Voltage	1 x 120 V AC, 60 Hz
Switch	Rotary ON/OFF Silver alloy contacts
Use with:	All fans, except: RSV 016 RSV 315 GSV 016 GSV 315