

RSD Dilution Bolts

Description

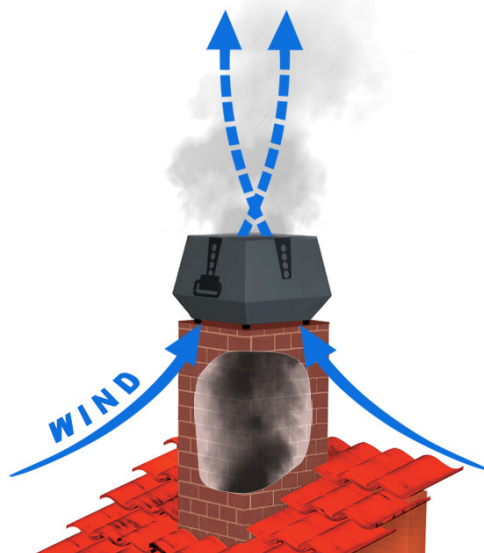
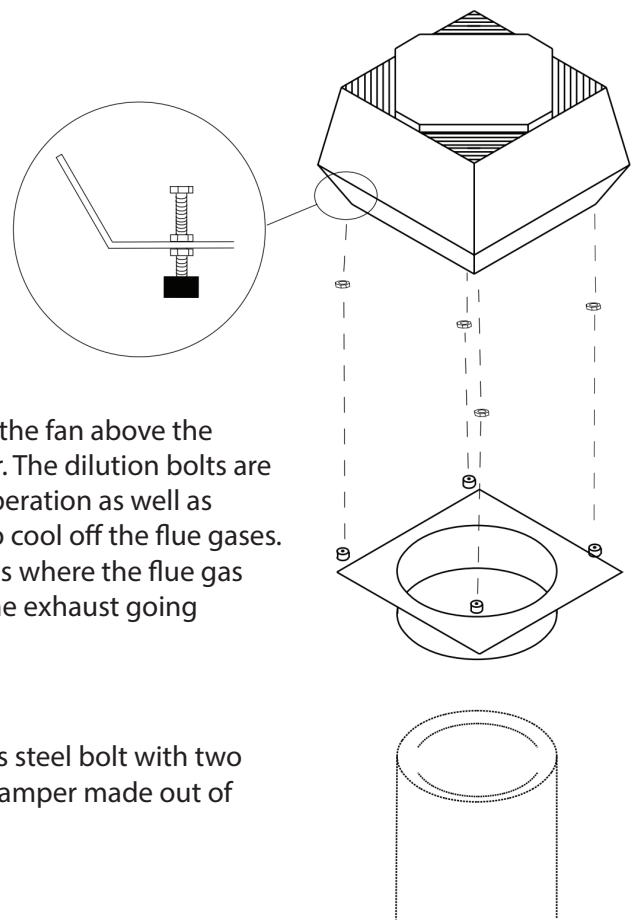
The RSD dilution bolts are used to lift the fan above the chimney or the steel chimney adapter. The dilution bolts are designed to obtain a vibration-free operation as well as to allow dilution air to enter the fan to cool off the flue gases. Dilution bolts are used for applications where the flue gas temperature, or the temperature of the exhaust going through the fan, exceeds 300°C.

Material

The dilution bolts consist of a stainless steel bolt with two locking nuts attached to a vibration damper made out of silicone rubber.

Warranty

2-year factory warranty



exodraft Ltd.
Industrivej 10
DK-5550 Langeskov
Tel: +45 7010 2234
Fax: +45 7010 2235
info@exodraft.co.uk
www.exodraft.co.uk

exodraft