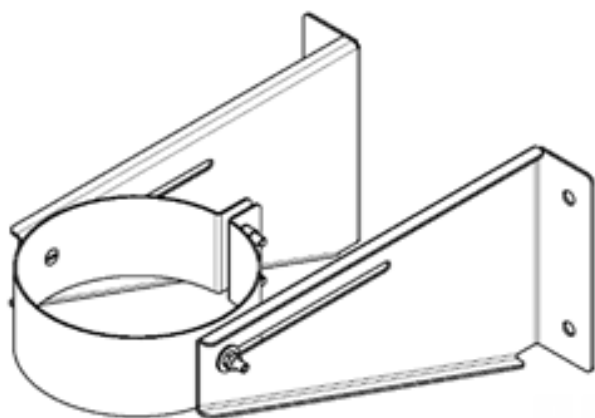




...designed to be better

### ICID Plus Retrofit Wall Support 60 - 200mm



| Features                                     | Benefits  |
|--|---|
| Supports 10 metres of Twin Wall flue         | One support is enough for a standard bungalow or 2 storey house installation  |
| Adjustment on side plates 60-200mm from wall | Allows 1 component for use with standard 90 degree and 135 degree tees  |
| Clamp band design                            | Clamp band can be positioned anywhere on the pipe to tie in with trim collars. Allows retrofit of support, once pipe is in position |
| Captive nuts on clamp band                   | Simple to install. No nuts to be dropped and lost on site   |

| Product Description  | Diameter | Part No. | Offer Price  |
|--|----------|----------|--------------|
|  ICID Plus Retrofit Wall Support              | 125mm    | POTM1    | £44.62 + VAT |
|  | 150mm    | POTM2    | £45.21 + VAT |
|  ICID Plus Retrofit Wall Support - Matt Black | 125mm    | POTM3    | £44.62 + VAT |
|  | 150mm    | POTM4    | £45.21 + VAT |

\*Offer price applicable for orders placed 1st - 31st August 2019