

# LE Series MK2

ELECTRIC HOLOGRAPHIC FIREPLACE

## Installation Manual

AUSTRALIA AND NEW ZEALAND

| <b>LE-SERIES PRODUCT SPECIFICATION</b> |  |                        |
|--|--|------------------------|
| Model Names                            | LE800 / LE1000 / LE1250 / LE1550   |                        |
| Description of Appliance               | Indoor Electric Heater   |                        |
| Max. Heat Output                       | 3kW  |                        |
| Compliant to                           | AS/NZS/IEC 60335-1, AS/NZS/IEC 60335-2-30, CISPR14-1                     |                        |
| LE800                                  | Width  | 863mm                  |
|  | Height   | 545mm                  |
|  | Depth  | 440mm (excluding trim) |
|  | Weight   | 60kg                   |
| LE1000                                 | Width  | 1063mm                 |
|  | Height   | 545mm                  |
|  | Depth  | 440mm (excluding trim) |
|  | Weight   | 70kg                   |
| LE1250                                 | Width  | 1313mm                 |
|  | Height   | 545mm                  |
|  | Depth  | 440mm (excluding trim) |
|  | Weight   | 90kg                   |
| LE1550                                 | Width  | 1613mm                 |
|  | Height   | 545mm                  |
|  | Depth  | 440mm (excluding trim) |
|  | Weight   | 100kg                  |
| Max Power Consumption                  | 3.45kW 15A 230V ~ 50Hz   |                        |
| Control Options                        | Remote, Escea SmartHeat App, Manual Controls                             |                        |
| Thermostat                             | Yes (Remote)   |                        |
| Electrical Connection Location         | RH Side / RH Back / Underside RH   |                        |
| Data plate locations                   | On wiring access hatch panel, & inside unit top panel above LCD assembly |                        |

| <b>REMOTE CHARGER SPECIFICATION</b>            |        |
|--|--------|
| USE ONLY WITH USB-C CHARGER & POWERED USB PORT |        |
| Max  | 5V, 2W |

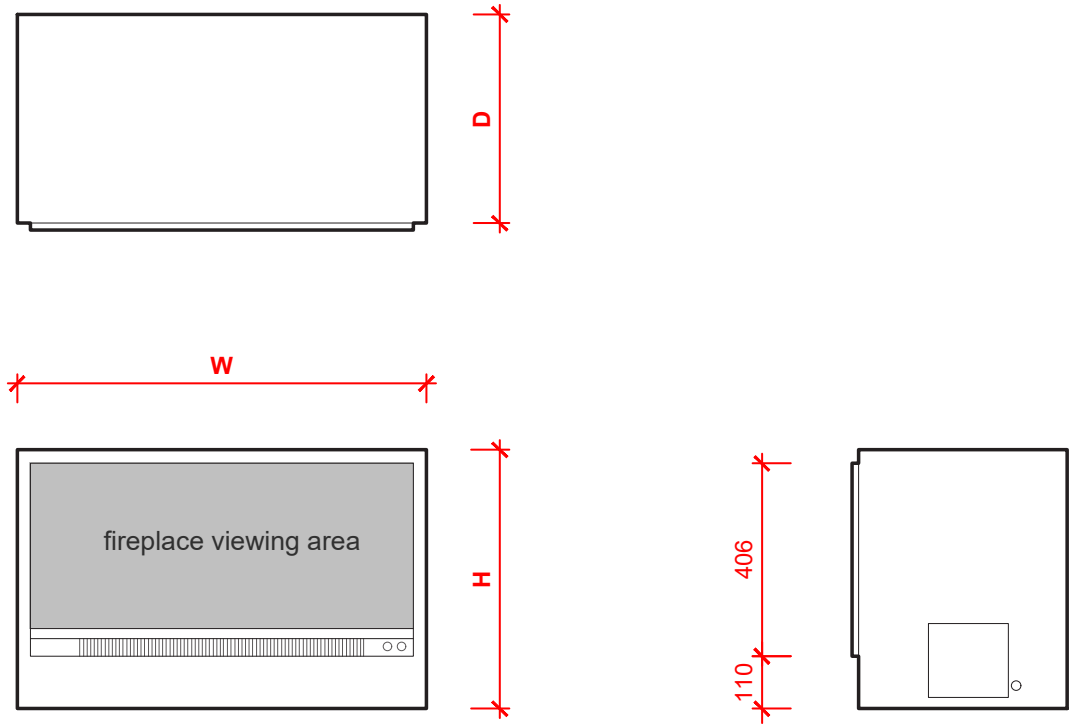
# Contents

|  |          |
|--|----------|
| <b>A PRODUCT OVERVIEW</b>                        | <b>4</b> |
| A1. Fireplace Dimensions                         | 4        |
| <b>B INSTALLATION PROCESS</b>                    | <b>5</b> |
| B1. Fireplace Base                               | 5        |
| B2. Finish Trim Installation                     | 5        |
| B3. Anchoring                                    | 5        |
| B4. Installation Steps                           | 6        |
| B5. Wall Finishing                               | 7        |
| <b>C POWER</b>                                   | <b>8</b> |
| C1. Heater Power Supply Configuration            | 8        |
| C2. Optional electrical connection locations     | 8        |
| <b>D FINISHING</b>                               | <b>9</b> |
| D1. Reversible internal liner panel installation | 9        |
| D2. Log fuel bed installation                    | 9        |
| D3. Log Fascia Installation                      | 10       |
| D4. Fuel Bed and Finishing                       | 11       |
| D5. Angled glass                                 | 12       |
| D6. Ember Guard Installation                     | 12       |
| D7. Front Glass                                  | 13       |
| D8. Remote                                       | 14       |
| D9. Troubleshooting                              | 14       |

# A PRODUCT OVERVIEW

The Escea LE Series MK2 Fireplace is an indoor holographic projection fireplace designed to be built into a false cavity, from standard building or construction materials.

## A1. FIREPLACE DIMENSIONS

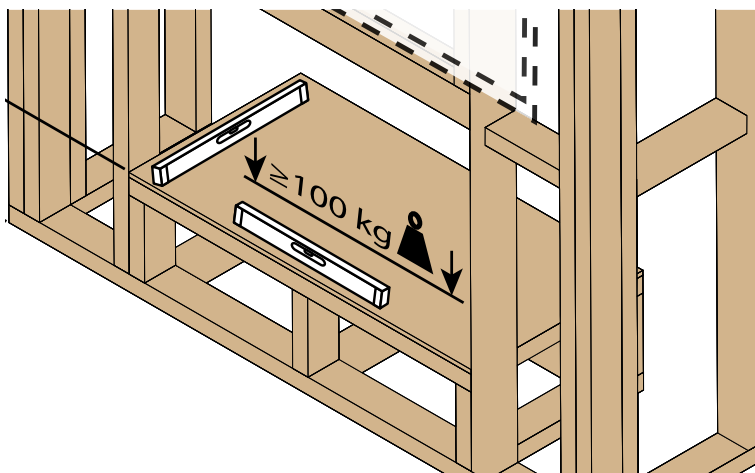


|        | <b>W</b> | <b>H</b> | <b>D</b> |
|--------|----------|----------|----------|
| LE800  | 863mm    | 545mm    | 440mm    |
| LE1000 | 1063mm   |          |          |
| LE1250 | 1313mm   |          |          |
| LE1550 | 1613mm   |          |          |

# B INSTALLATION PROCESS

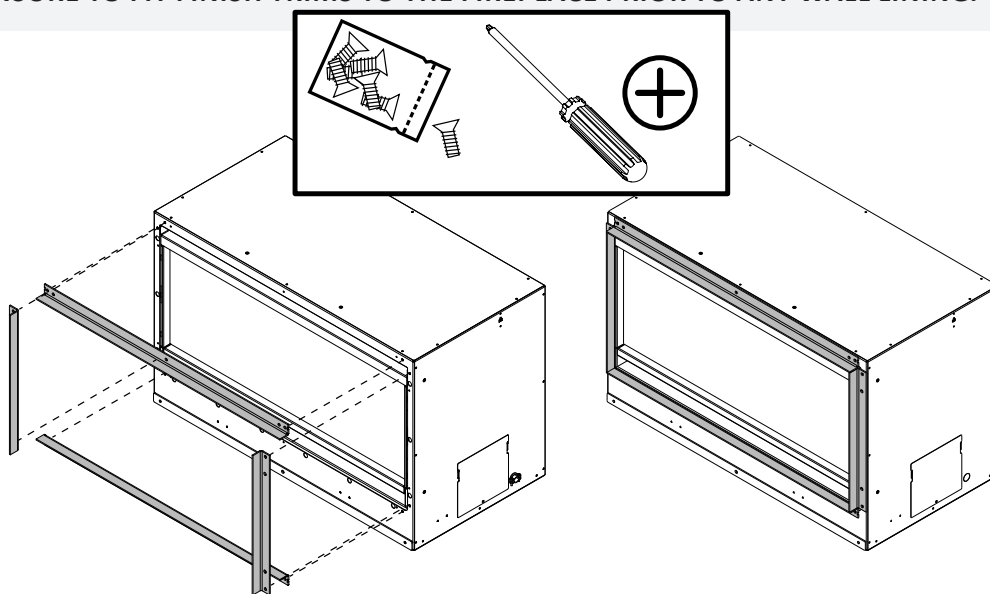
## B1. FIREPLACE BASE

For an optimal fireplace viewing height, the fireplace base should be installed **288mm or above floor level**, depending on your room configuration and size.



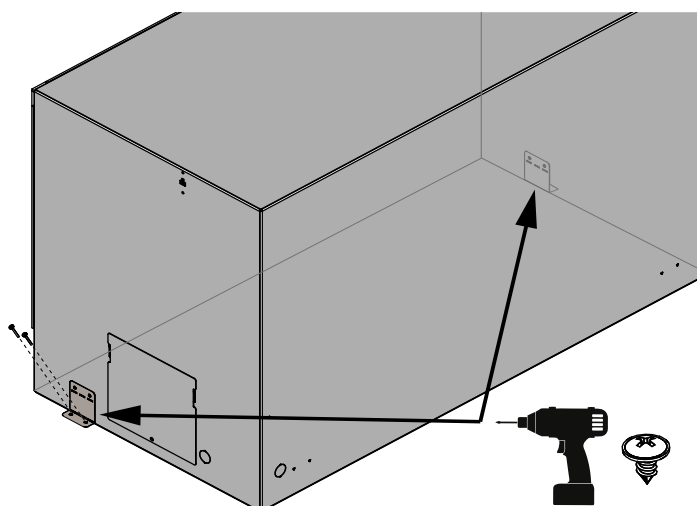
## B2. FINISH TRIM INSTALLATION

ENSURE TO FIT FINISH TRIMS TO THE FIREPLACE PRIOR TO ANY WALL LINING.



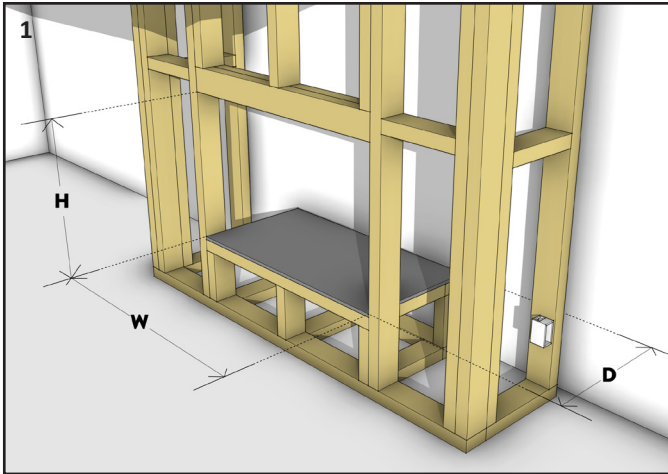
## B3. ANCHORING

Restrain the fireplace to its base, using the brackets supplied with the packaging material, with fixings suitable for the base material (timber or concrete anchors).

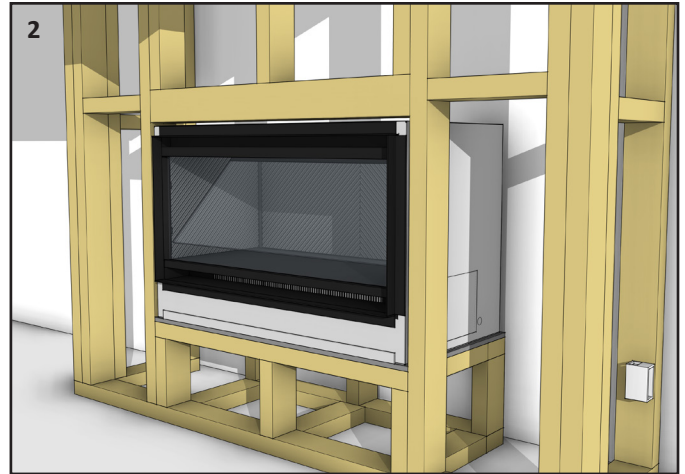


**B4. INSTALLATION STEPS**

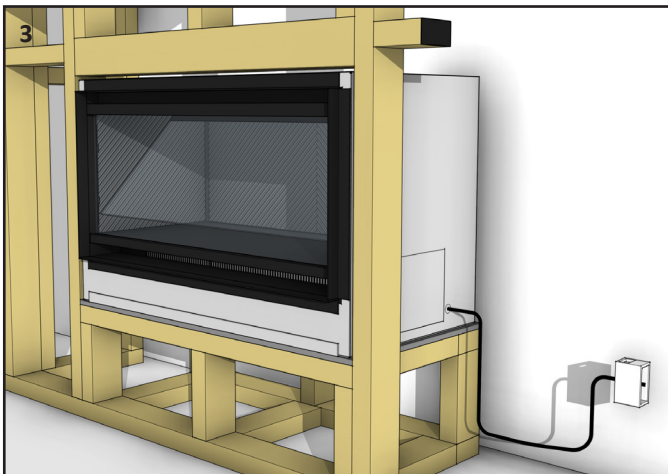
For further advice, contact the Escea Architectural Advisory Team: [aa@escea.com](mailto:aa@escea.com)



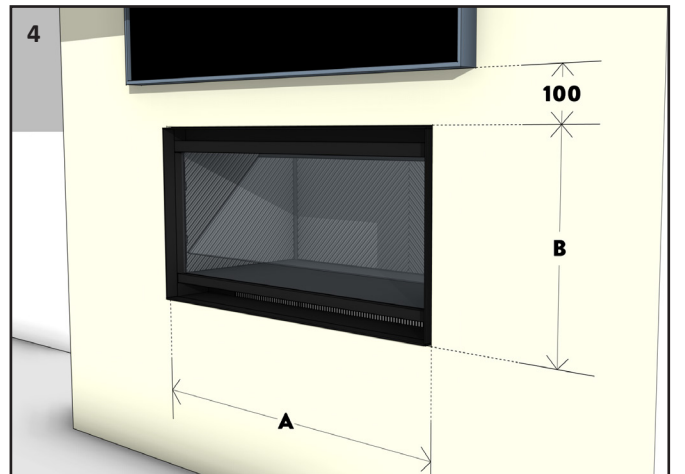
Build the cavity framework following the minimum cavity opening requirements. Ensure a continuous and level base for the fireplace.



Install the appliance into the cavity opening and anchor it to the base. Ensure the appliance is flush with the framework front edge.



Provide mains power connection and an accessible isolation switch. Framework has been removed for clarity.



Attach wall linings to the framework and fireplace, with a 3mm gap from the finish trim. Follow the provided wall lining cut-out dimensions below. Complete the installation by adding additional finishes or fixtures.

| CAVITY OPENING DIMENSIONS | W      | H     | D     |
|---------------------------|--------|-------|-------|
| LE800                     | 882mm  | 555mm | 450mm |
| LE1000                    | 1082mm |       |       |
| LE1250                    | 1332mm |       |       |
| LE1550                    | 1632mm |       |       |

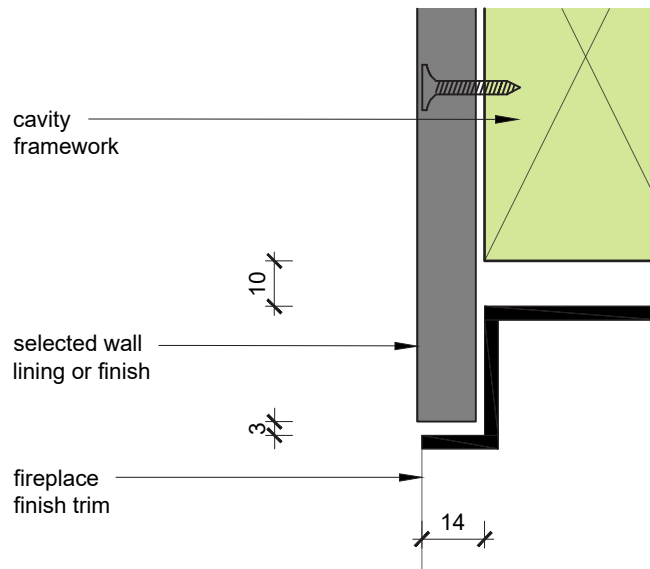
| WALL LINING CUT-OUT DIMENSIONS | A      | B     |
|--------------------------------|--------|-------|
| LE800                          | 812mm  | 412mm |
| LE1000                         | 1012mm |       |
| LE1250                         | 1262mm |       |
| LE1550                         | 1562mm |       |

## B5. WALL FINISHING

Wall linings can be of any thickness or made up of multiple wall materials. They will be fixed to framework and then adhered to the fireplace.

Where materials or finishes extend forward of the 14mm fireplace trim consider how the finished edge will look.

A 40mm Extended Trim is available, but must be installed before any wall linings.

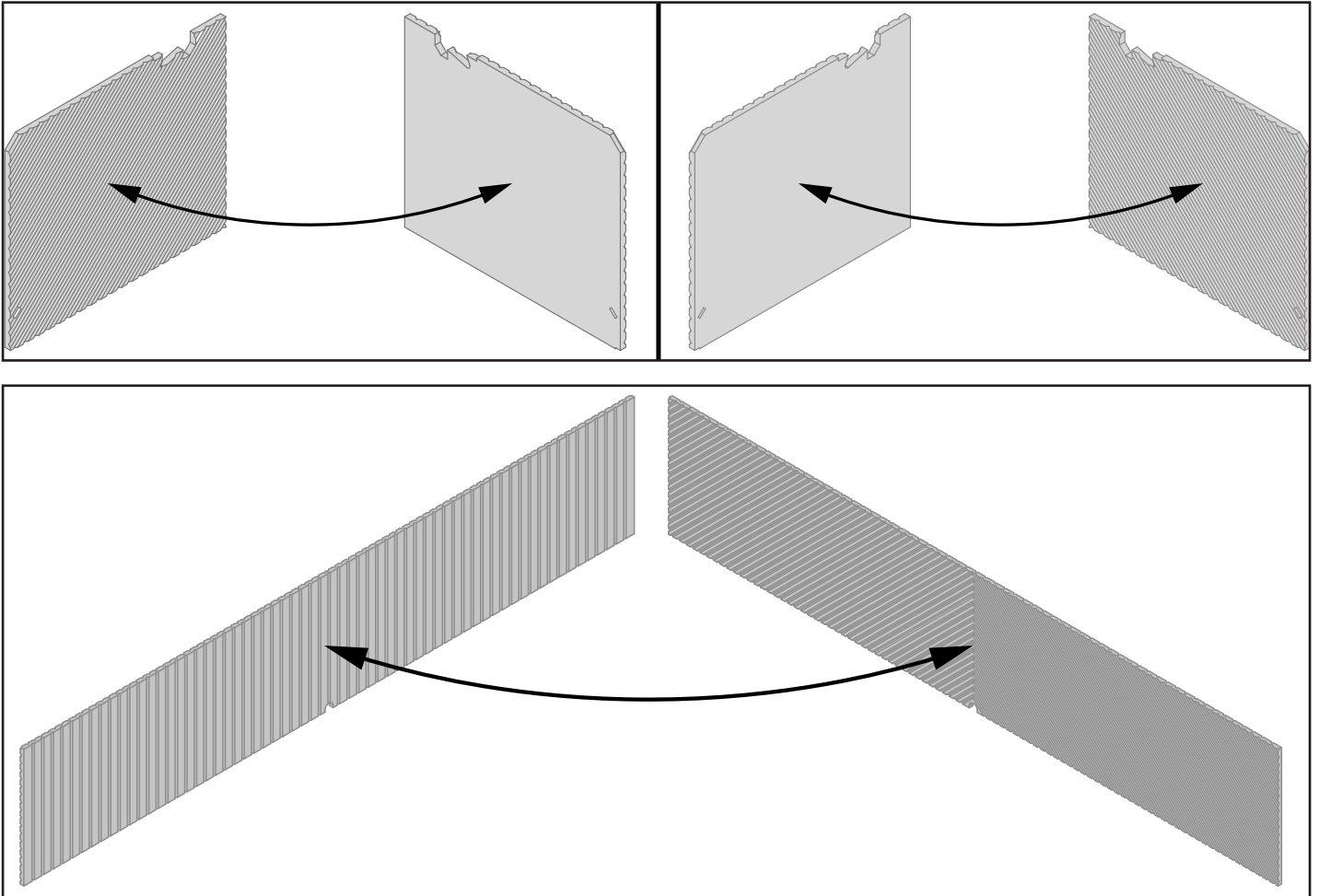




# D FINISHING

## D1. REVERSIBLE INTERNAL LINER PANEL INSTALLATION

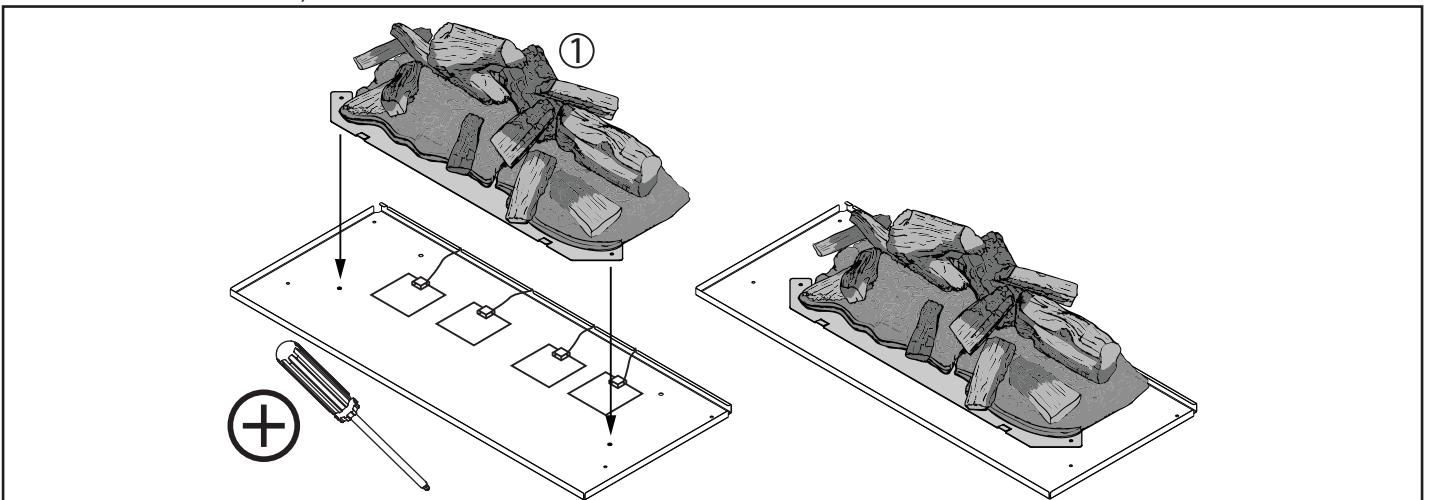
The internal back and side panels for the LE Series are reversible. The side panels are flat or with diagonal indentations, while the back panel has vertical or diagonal indentations.



## D2. LOG FUEL BED INSTALLATION

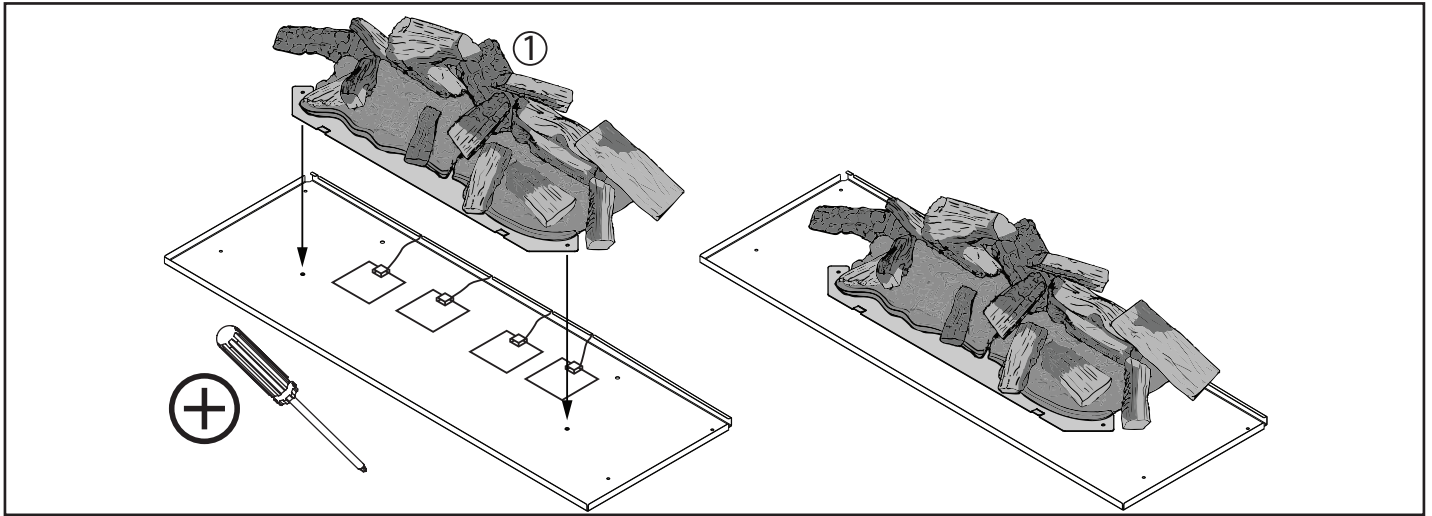
### LE800

Remove 2x machine screws, locate the fuel bed and refit screws as directed below. .



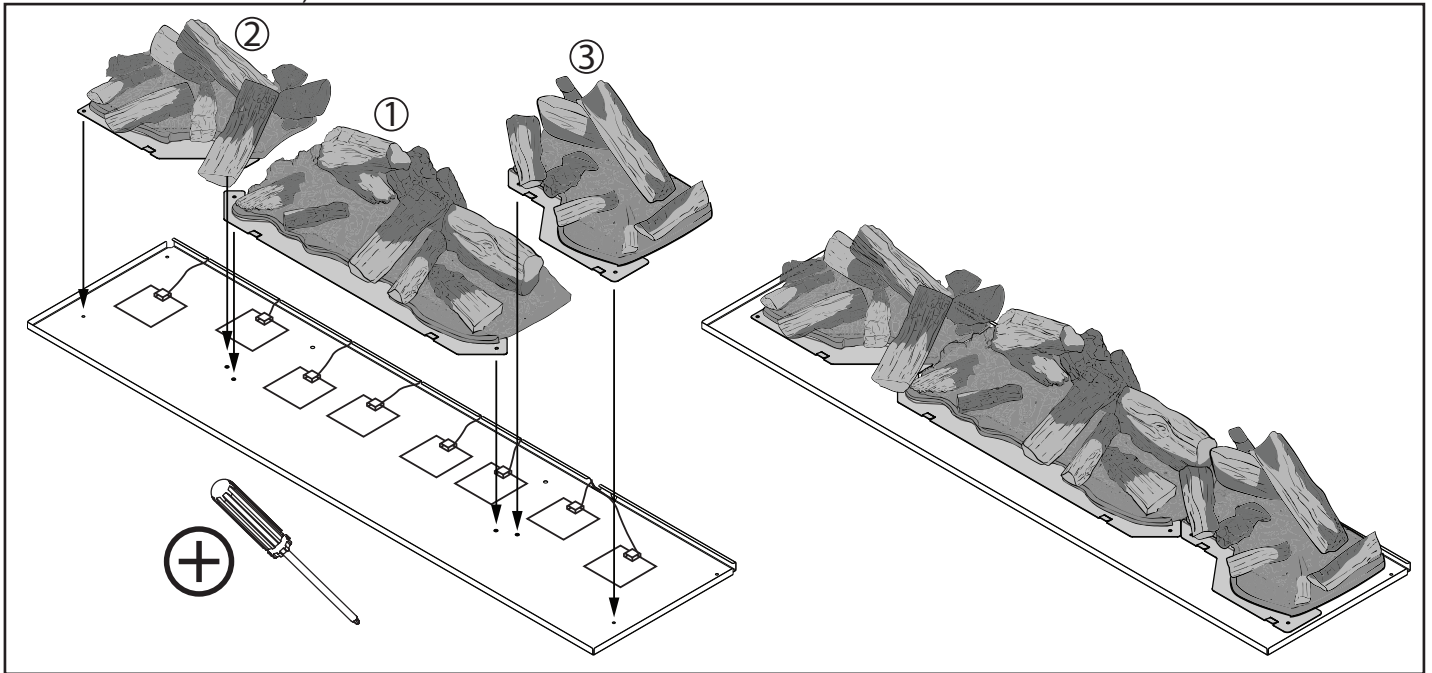
**LE1000**

Remove 2x machine screws, locate the fuel bed and refit screws as directed below. .

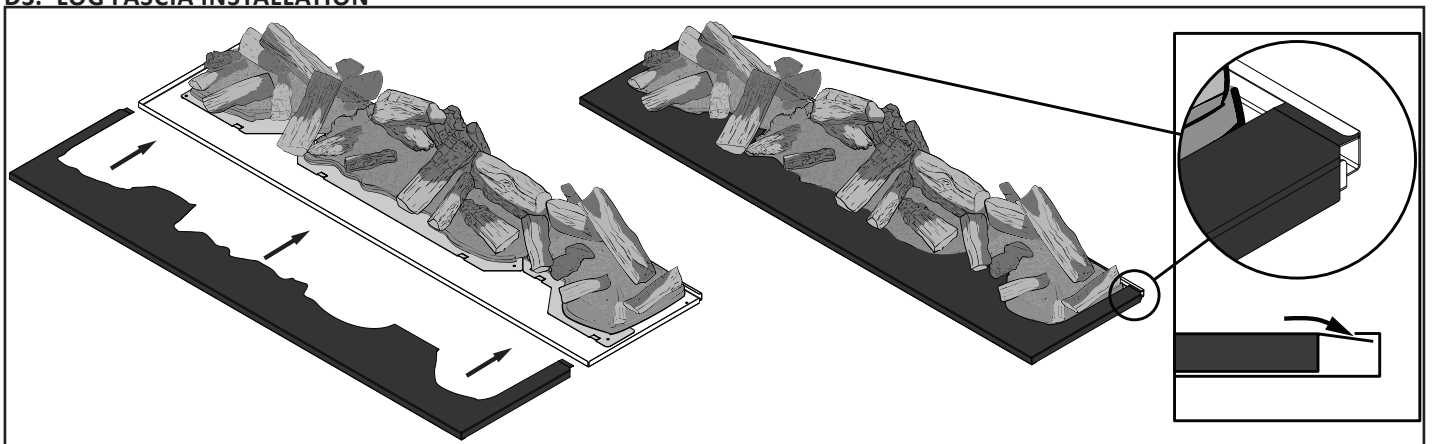


**LE1550**

Remove 6x machine screws, locate the fuel bed and refit screws as directed below.

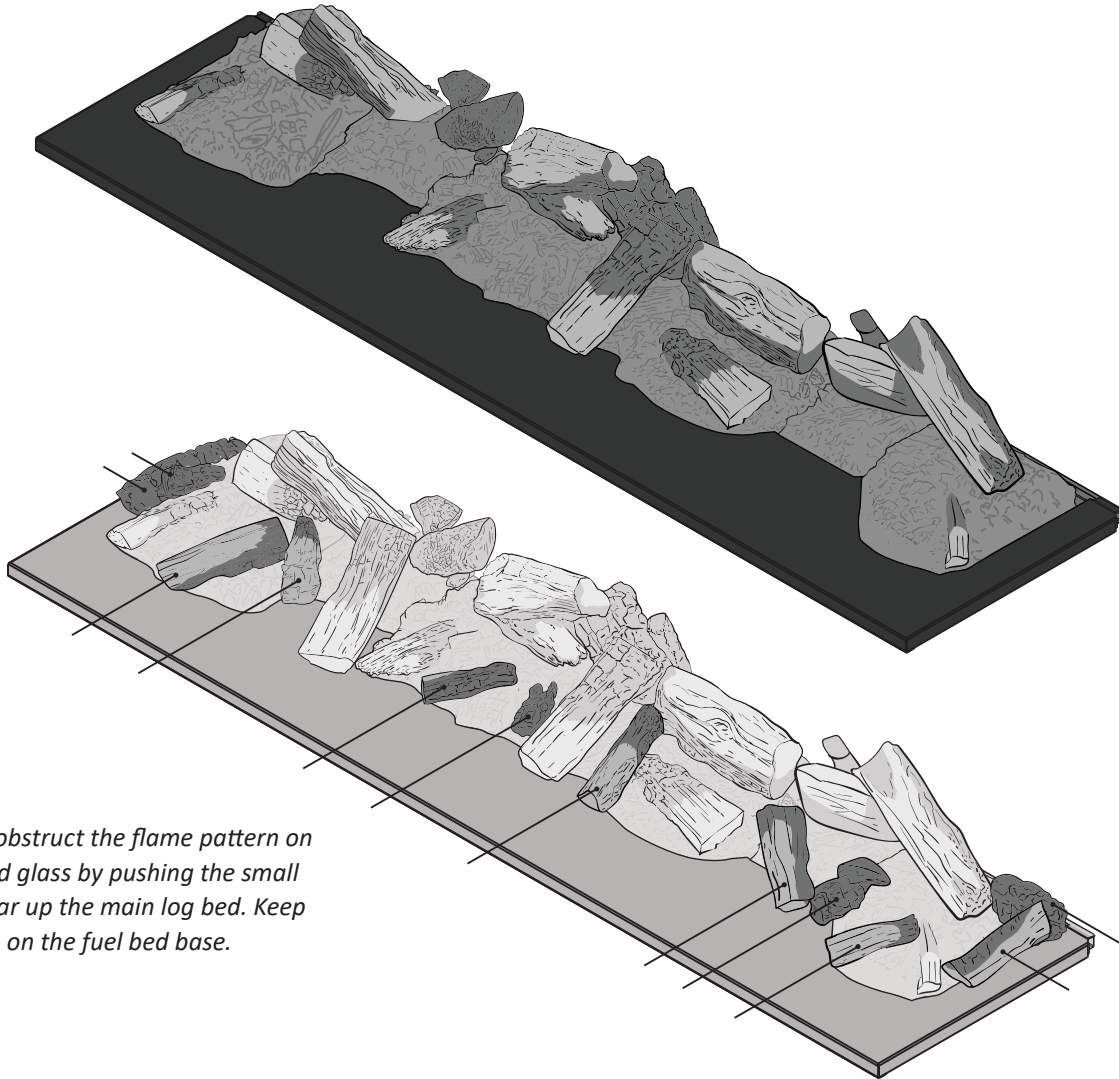


**D3. LOG FASCIA INSTALLATION**



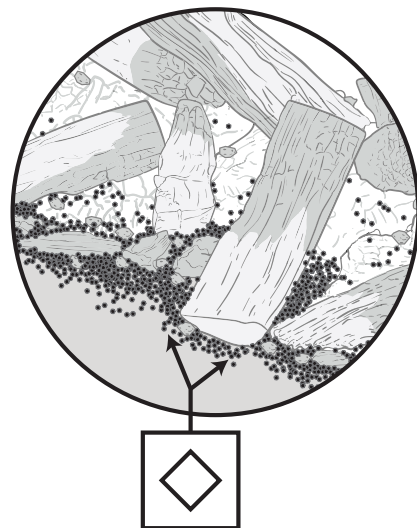
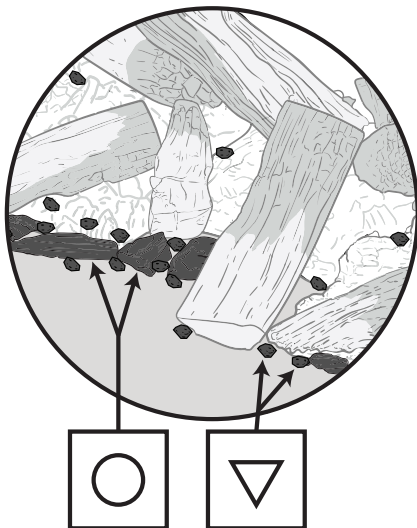
D4. FUEL BED AND FINISHING

SMALL LOG INSTALLATION



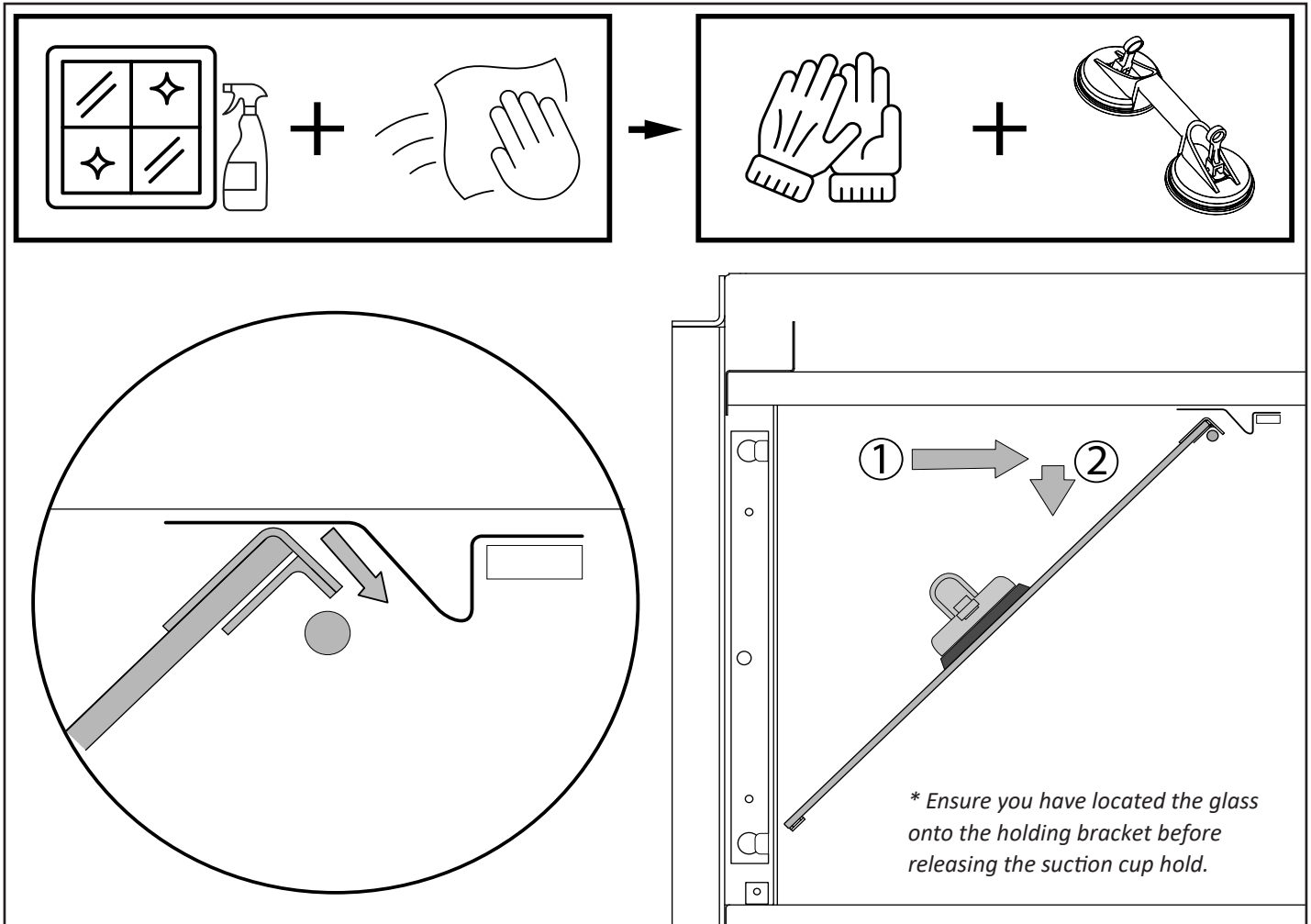
EMBERS (○) AND SHALE (▽)

VOLCANIC PEBBLES (◇)

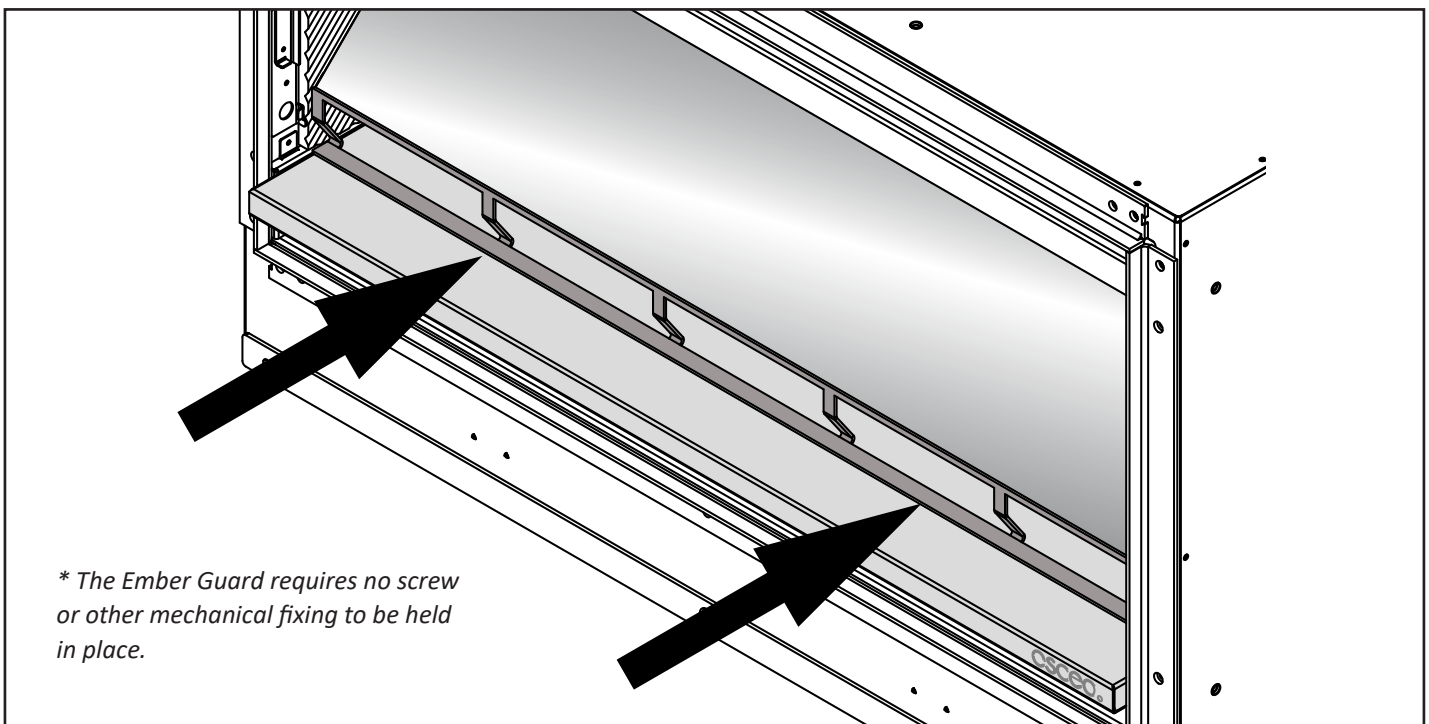


### D5. ANGLED GLASS

Clean glass with a clean microfibre cloth, before installation. Do not use ammonia-based or abrasive cleaners to clean the glass.

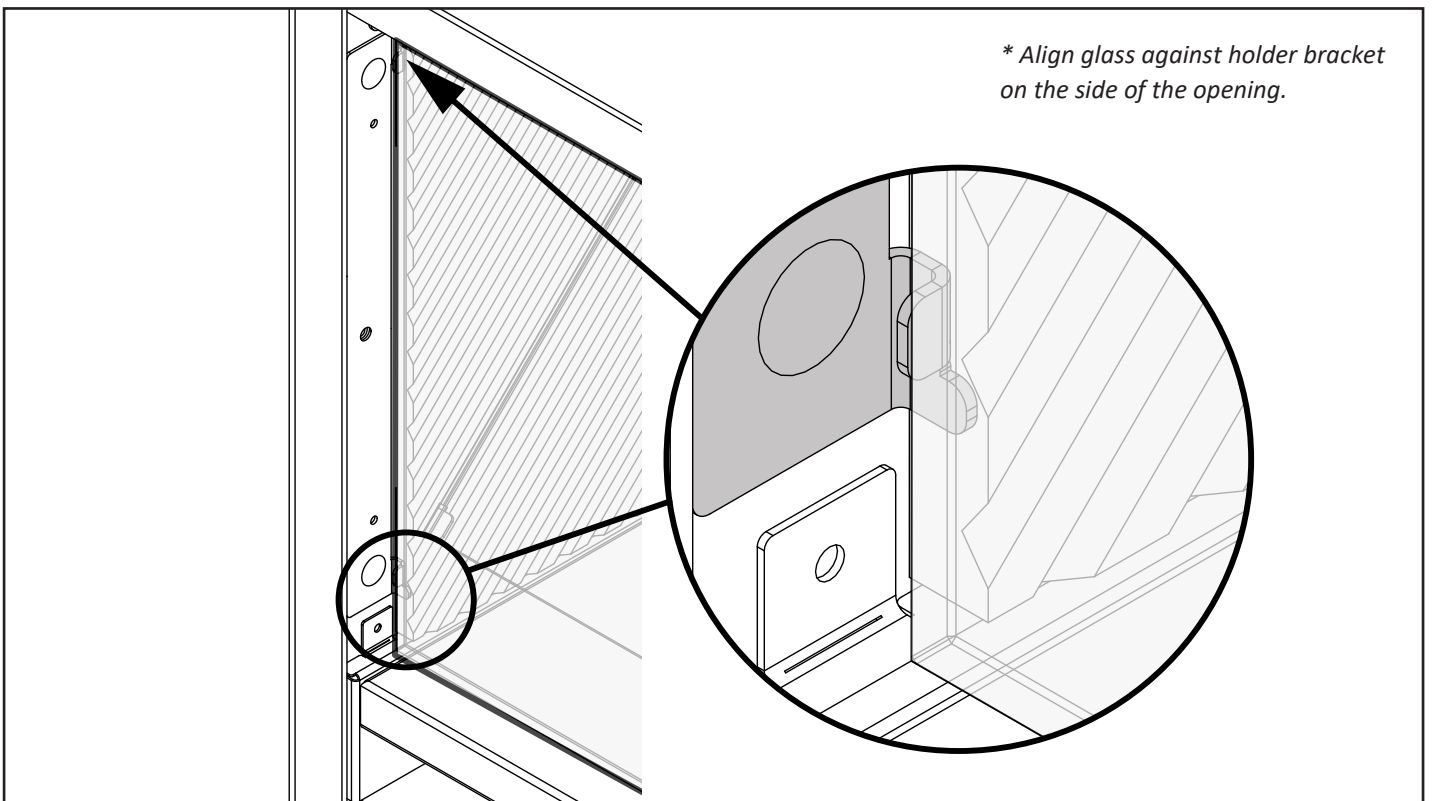
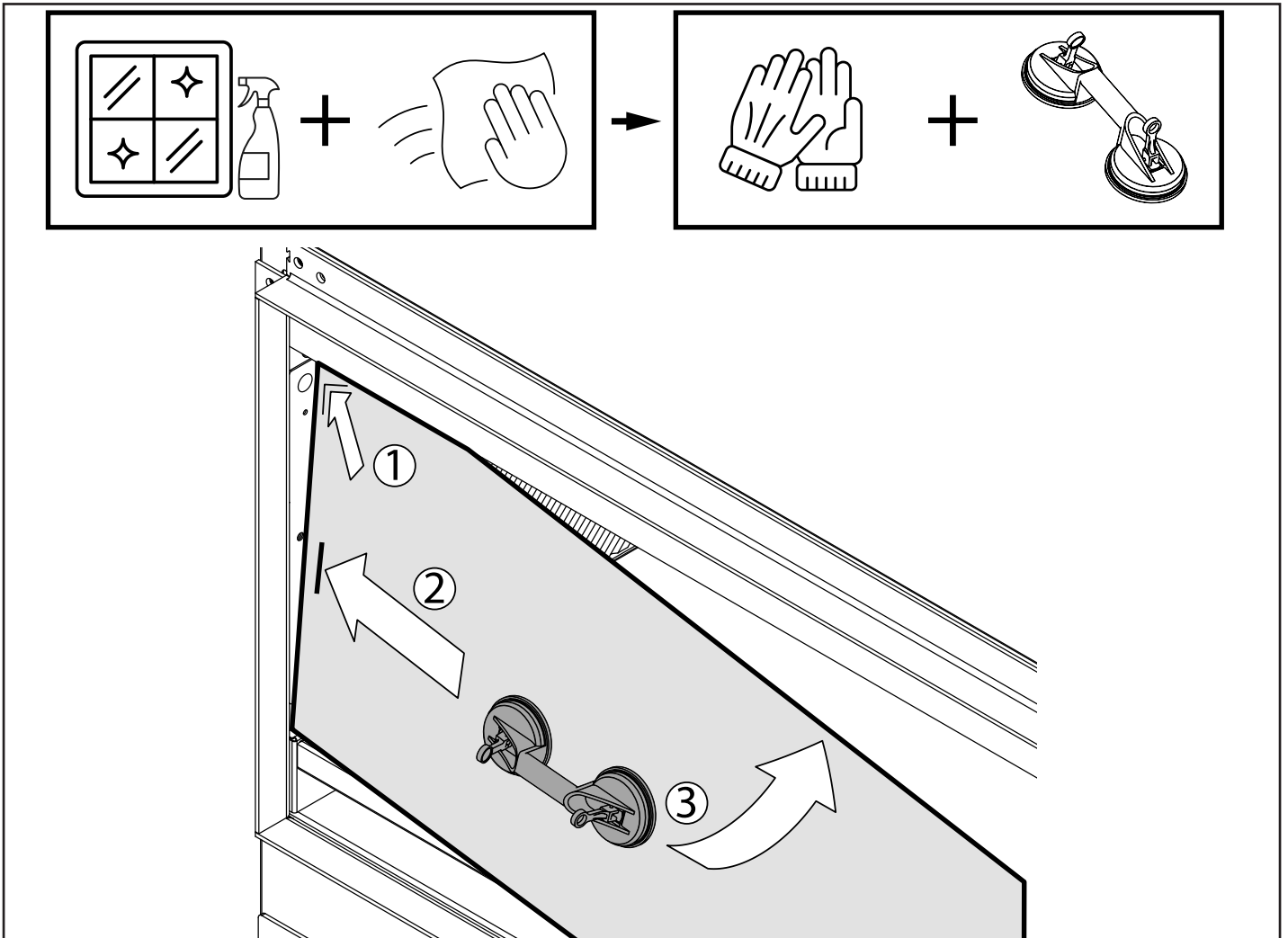


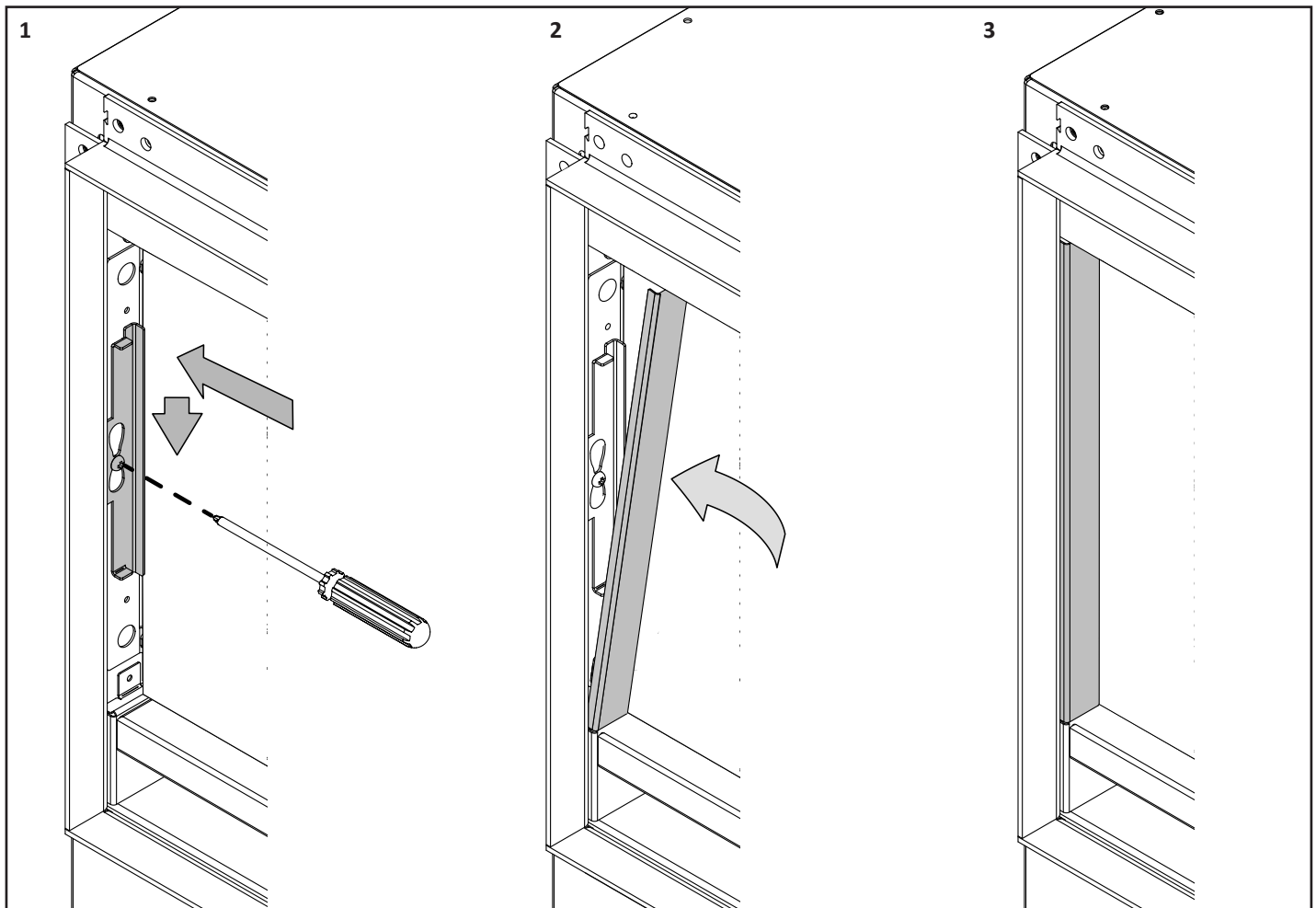
### D6. EMBER GUARD INSTALLATION



**D7. FRONT GLASS**

Clean glass with a clean microfibre cloth, before installation. Do not use ammonia-based or abrasive cleaners to clean the glass.





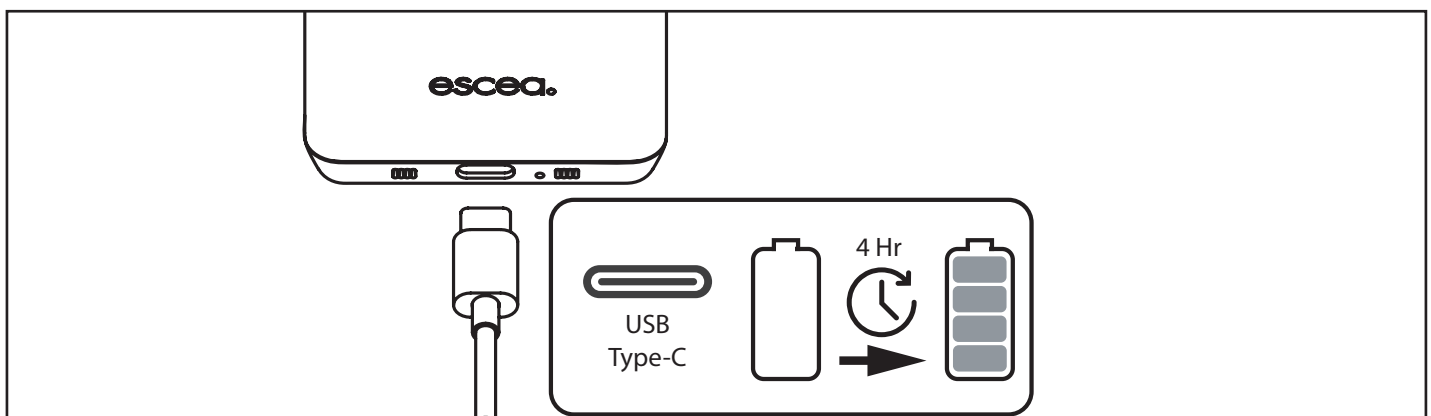
1. Undo screw at the centre but do not remove. Fit the front glass retainer by fitting over the screw using the lower keyhole, and drop down behind screw head. The folded edge will sit against the front glass. Tighten screw.

2. The retainer cover plate neatly finishes the infill between the finish trim and the glass. With folded edge facing outwards drop bottom end in first with folded edge against the finish trim.

3. Tilt upwards until magnets hold cover plate in place. The cover plate will sit slightly proud of the finish trim.

#### D8. REMOTE

Wake up remote by plugging in to a USB-C power supply. Charge remote after installation.



#### D9. TROUBLESHOOTING

See LE Series Service Manual available from the Escea website: [www.escea.com/technical](http://www.escea.com/technical)

This page is intentionally blank.

